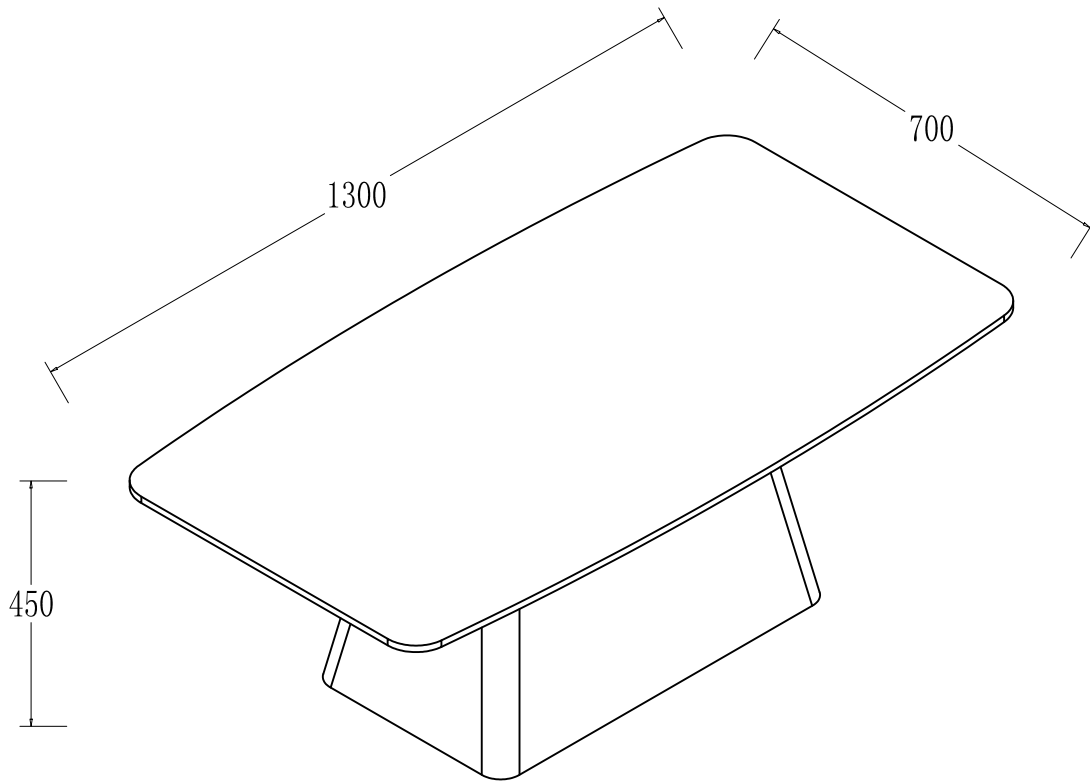




Amart

**ASSEMBLY INSTRUCTION
VINCENTIO COFFEE TABLE
ITEM CODE 85281**

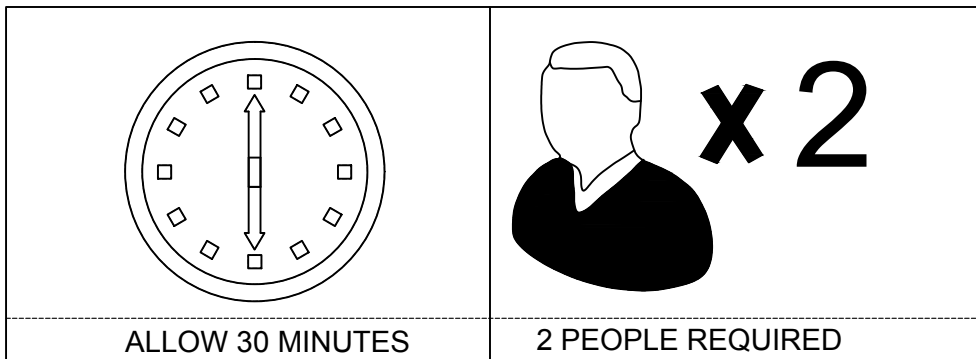


Imported by Amart Furniture Pty Ltd. Qld. Brisbane Australia.
For any assistance with assembly or for missing parts please phone Amart Furniture
Customer Service Free call 1800 351 084

PRE-ASSEMBLY PREPARATION

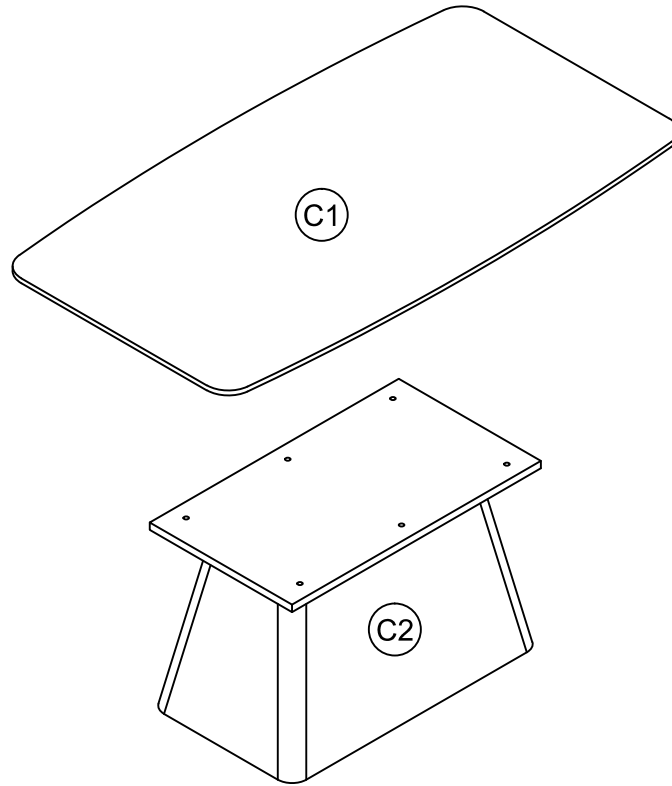
Before you start:

1. Choose a clean, level, spacious assembly area. Avoid hard surfaces that may damage the product
2. Take care when lifting. Product should be assembled as near as possible to the point of use
3. Ensure that you have all required contents for complete assembly.
4. Always read the assembly instructions carefully before beginning assembly.
5. Keep all hardware parts and packaging out of reach of small children.
6. Do not over tighten the screws and bolts as this may damage the threads

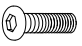





85281

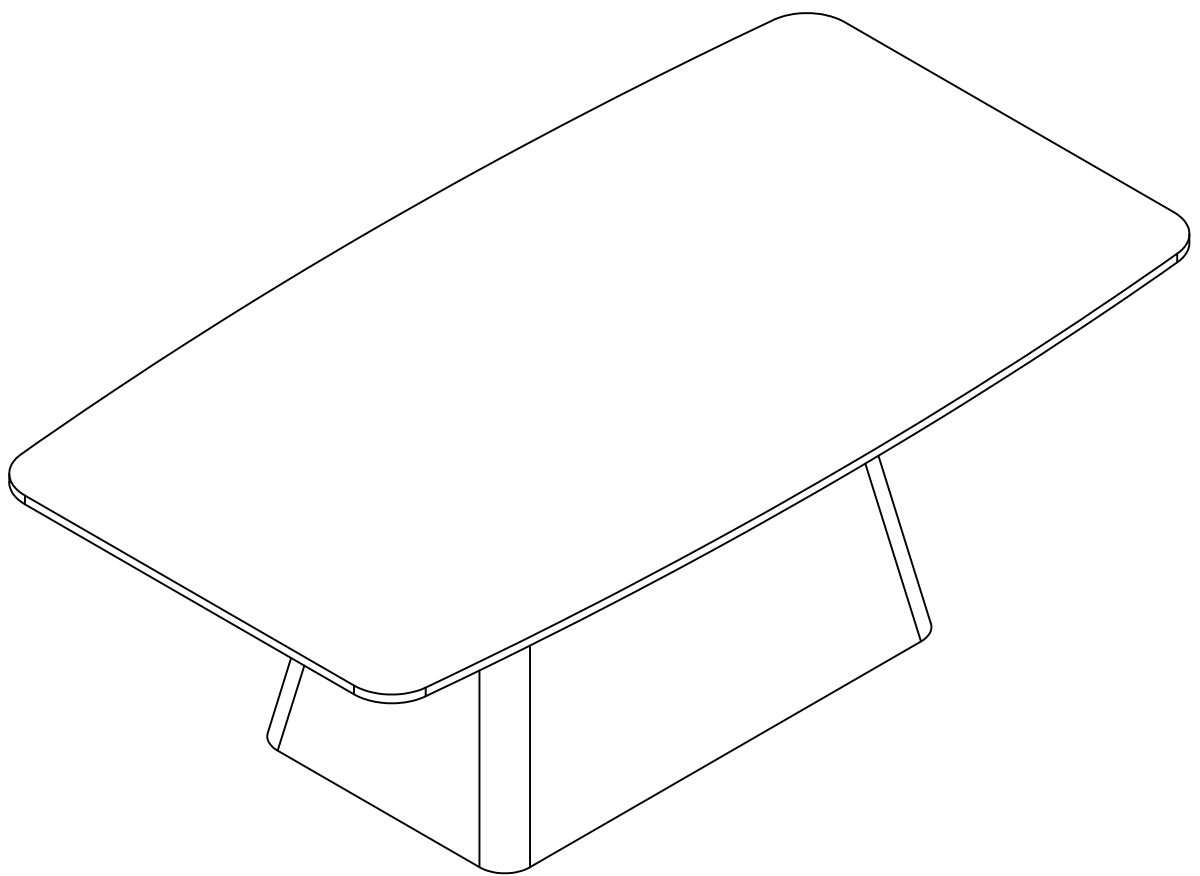
PARTS LIST



C1	Top panel		
C2	Base		

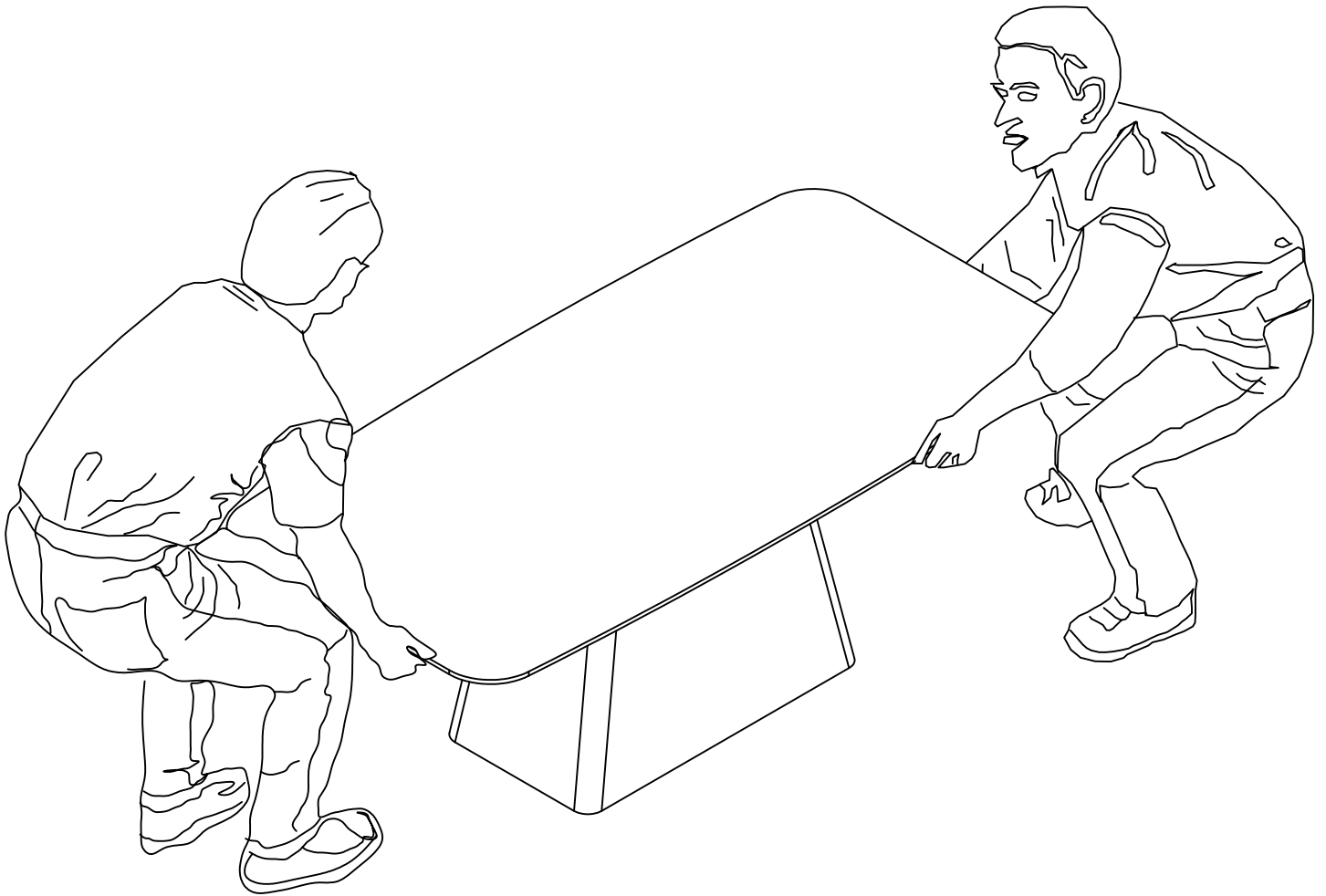
A. Bolt M8x35  6PCS	<input type="checkbox"/> B. Protect Foam Ø50X5mm  6PCS	<input type="checkbox"/> C. Hex key M5  1PCS	<input type="checkbox"/> D. Washer M8  6PCS	<input type="checkbox"/>	<input type="checkbox"/>	<input type="checkbox"/>
<input type="checkbox"/>	<input type="checkbox"/>	<input type="checkbox"/>	<input type="checkbox"/>	<input type="checkbox"/>	<input type="checkbox"/>	<input type="checkbox"/>

Assembly is complete



Note -

Do not drag the furniture as this may cause damage to the legs. Instead, use 2 persons to lift carefully from either end.



Product Care for Sintered Stone Items

Daily Cleaning

•
General Stain Removal: As the surface of sintered stone furniture is non - porous and non - absorbent, for daily cleaning, simply wiping with a soft, damp cloth can remove dust and light stains such as coffee stains and fruit juice stains. For more stubborn stains, a mild detergent can be used. However, avoid using cleaners that contain strong acids, strong alkalis, or abrasive components to prevent damage to the furniture surface.

•Preventing Water Stain Residue: After cleaning, wipe off the water in a timely manner to prevent water stain residue. Because long - term water stains may form water marks on the surface and affect the appearance.

Avoid Scratching and Collision

•
Careful Use: In daily use, avoid using sharp objects such as knives and keys to scratch on the furniture surface, as this may cause scratches. Although sintered stone is relatively wear - resistant, sharp objects can still damage its surface.

•Pay Attention to Moving: When moving furniture, handle it with care and avoid collision with other hard objects. If you need to move heavy sintered stone furniture, it's best to ask professionals for help to prevent accidental collisions during the moving process and damage to the furniture.

Prevent Chemical Corrosion

•
Avoid Contact with Acid - Base Substances: Sintered stone furniture should avoid contact with acidic or alkaline chemicals such as vinegar, lemon juice, and bleach. These substances may react chemically with the stone, causing the surface to discolor, corrode, or be damaged.

•Choose Cleaners Carefully: When choosing a cleaner, carefully check the product ingredients to ensure that it will not damage the sintered stone. If you're not sure whether a cleaner is suitable, you can first conduct a small - area test on an inconspicuous part of the furniture and observe whether there is any adverse reaction before using it.

Product Care for Timber Items

As our timber is supplied from sustainable forests there will be natural variations in surface texture and grain like knots, mineral streaks and sap runs that may affect the finish. These differences in character are not defects, but distinctions that make each piece of furniture unique

Our furniture is built to last. Following these steps for basic care should protect your investment for years to come

- Dust frequently with a clean damp lint-free cloth. This will help remove abrasive build up which can damage a finish over time
- Do not place hot objects on any furniture surface. Always use a hot plate or placemat. Laminate and lacquer finishes on table tops provide added scratch and heat resistance to our furniture, but they can still be damaged without proper care
- Avoid exposing your furniture to strong sunlight, heat outlet, open windows or dampness. Prolonged exposure to direct sunlight can fade the finish of your furniture, while extreme temperature and humidity changes can cause cracking or splitting
- Do not expose your furniture to any liquids. Never allow water to sit on your furniture. Alcohol, nail polish and perfume are also dangerous as they will dissolve the lacquer finish on contact and may require professional repairs
- Do not allow plastic to come in direct contact with your furniture. Chemicals in the plastic of placemats etc. may soften and mark the finish if left in contact with the furniture for a period of time